

# UP300A / UP500A Packing Manifest

***Description***

***Quantity***

***Picture***

**Anchor Plate**

**4**



**Anchor Rod**

**4**



**Base Plate**

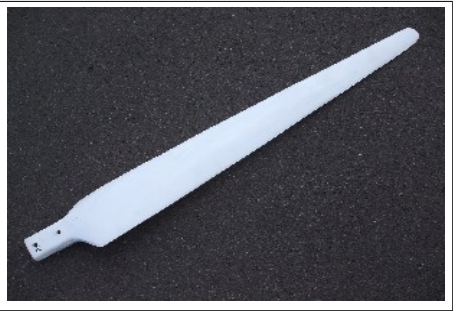




**1**











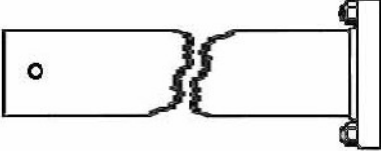
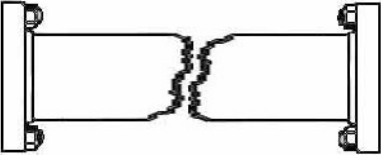
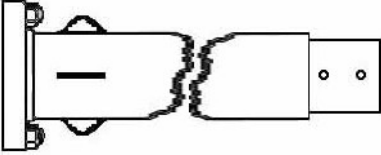

**Base Plate Anchor**

**4**



<p><b>Blade</b></p>	<p><b>3</b></p> 
<p><b>Dump Load</b> (In box with controller)</p>	<p><b>1</b></p> 
<p><b>Generator</b></p>	<p><b>1</b></p> 
<p><b>Guy Wire</b></p>	<p><b>4</b></p> 
<p><b>Hookup Wire</b></p>	<p><b>1</b></p> 

<p><b>Nose Cone</b></p>	<p><b>1</b></p> 
<p><b>Power Inverter</b></p>	<p><b>1</b></p> 
<p><b>Rotor Hub Assembly</b></p>	<p><b>1</b></p> 
<p><b>Tail</b></p>	<p><b>1</b></p> 
<p><b>Tail Bolts</b> M10x60</p>	<p><b>8</b></p> 

<p><b>Tail Boom Assembly</b></p>	<p><b>1</b></p>	
<p><b>Tensioner</b></p>	<p><b>4</b></p>	
<p><b>Tower Bolts</b></p>	<p><b>12</b></p>	
<p><b>Tower Section</b> (Bottom)</p>	<p><b>1</b></p>	
<p><b>Tower Section</b> (Center)</p>	<p><b>1</b></p>	
<p><b>Tower Section</b> (Top)</p>	<p><b>1</b></p>	
<p><b>Turbine Controller</b></p>	<p><b>1</b></p>	
<p><b>U Bolt</b></p>	<p><b>16</b></p>	